

E F N O T E PRO

703X

EFDPRO7X-STDSET

E F N O T E

ef-note.com

Assembly Guide



EN

© 2024 Ef-Note Inc.

EfNOTE PRO703X ASG EN Rev.01-2024

CAUTION

Read this guide in combination with the Quickstart Guide.

* Before using this product, read "IMPORTANT SAFETY INSTRUCTIONS" in the Quickstart Guide.

For the EFNOTE PRO Reference Guide, or other latest information, please refer to the web below.

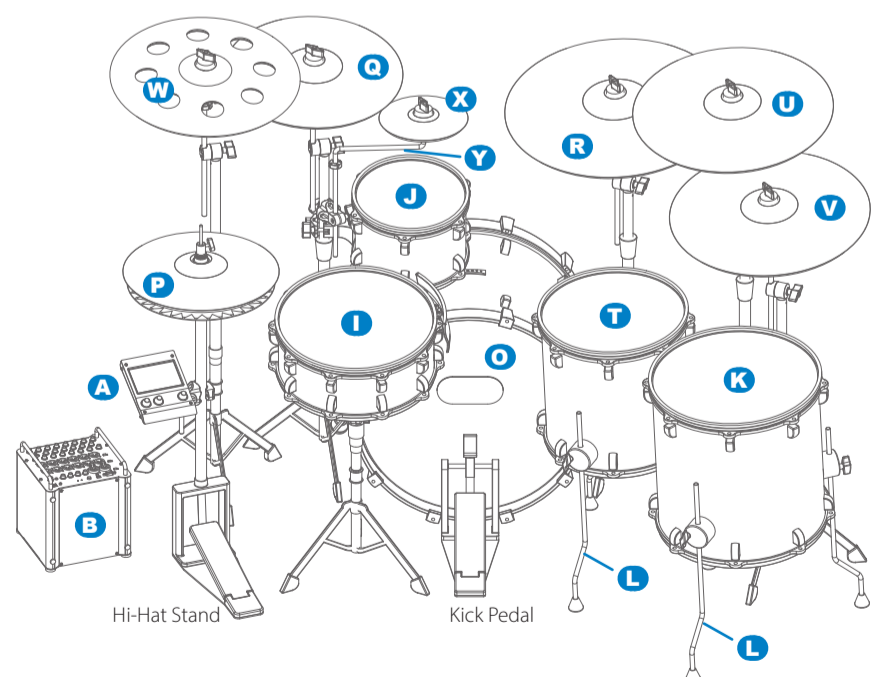
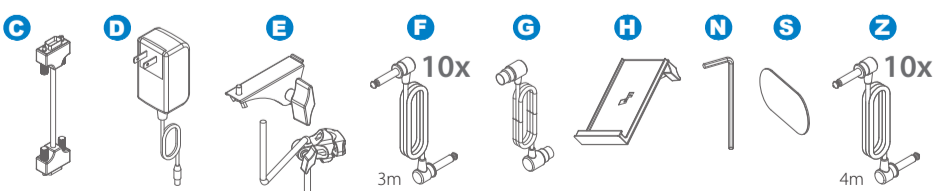
EfNOTE PRO Web

ef-note.com/products/drums/EFNOTEPRO



Packing List

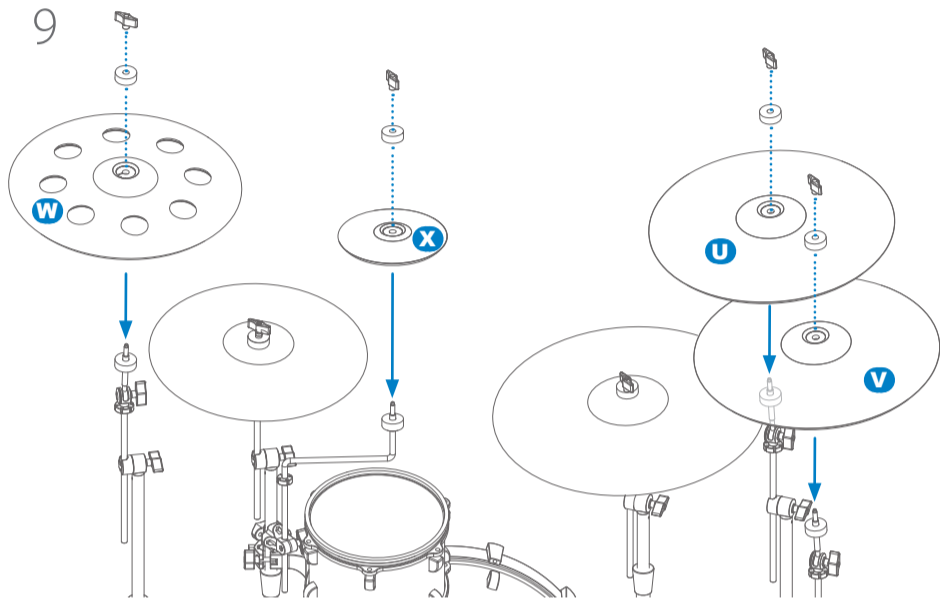
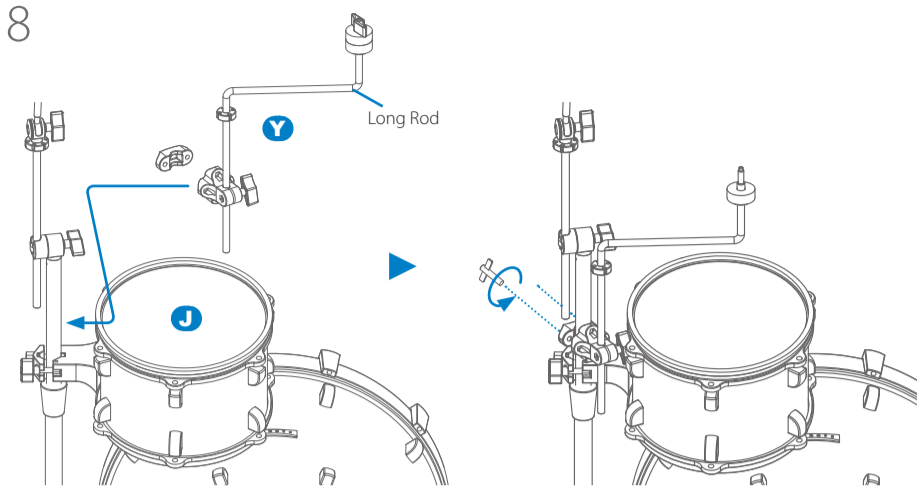
700X series BOX1			700X series BOX2		
A	Sound Module (Control Surface)	1x	O	20" Kick	1x
B	Sound Module (Base Unit)	1x	P	14" Hi-Hat Cymbals	1x
C	Link Cable 2.0m (EFD-DSUB9-2)	1x	Q	16" Standard Cymbal	1x
D	AC Adapter (FJ-SW1202000N-EFNOTE)	1x	R	20" Ride Cymbal	1x
E	Module Mount Set	1x	S	Beater Patch	1x
F	Trigger Cable 3.0m (EFD-TRS-LL3)	10x	700X series BOX3		
G	Hi-Hat Cable L 3.0m (EFD-DIN6-LL3)	1x	T	13" Floor Tom	1x
H	Smartphone Tray Set	1x	L	Floor Tom Leg	3x
	Tuning Key	1x	U	18" Standard Cymbal	1x
	Cable Tie	10x	V	18" Dark Cymbal	1x
	Cable Label	2x	W	17" FX Cymbal	1x
	Quickstart Guide	1x	X	8" Splash Cymbal	1x
I	14" Snare with Side-Rim	1x	Y	Splash Cymbal Mount Set	1x
J	10" Tom	1x	Z	Trigger Cable 4.0m (EFD-TRS-LL4)	10x
K	15" Floor Tom	1x			
L	Floor Tom Leg	3x			
N	Hex Key	1x			



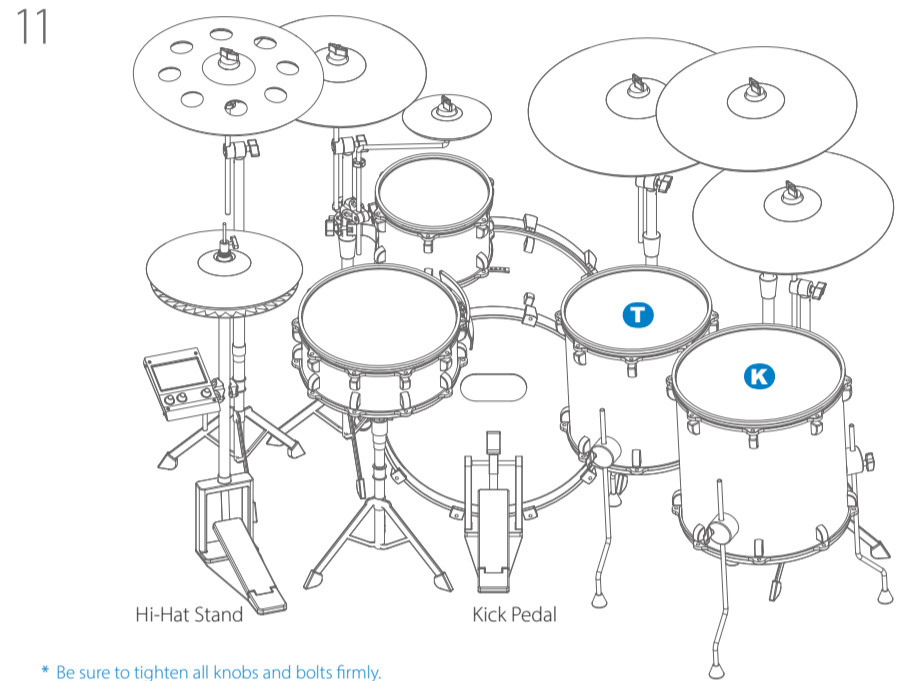
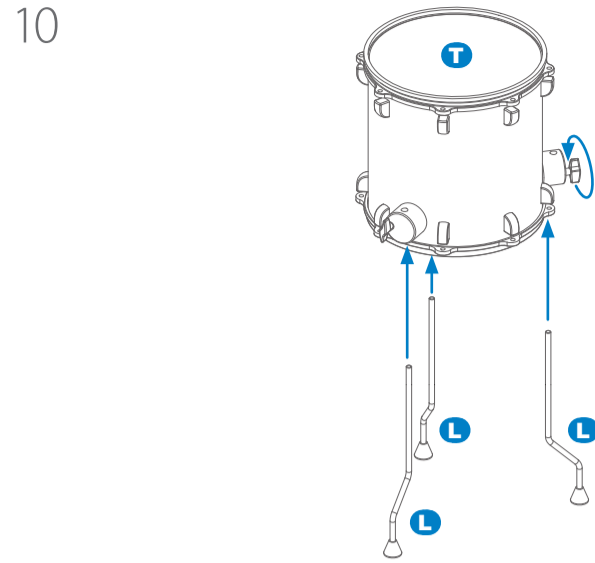
NOTE

The hardware shown in this manual such as a kick pedal, hi-hat stand, snare stand, tom stand/holder, and cymbal stands are optional, and may be included depending on the package purchased. For details, please contact the store where you purchased the product.

First, proceed steps 1 through 7 of the kit assembling procedure on the Quickstart Guide.



3

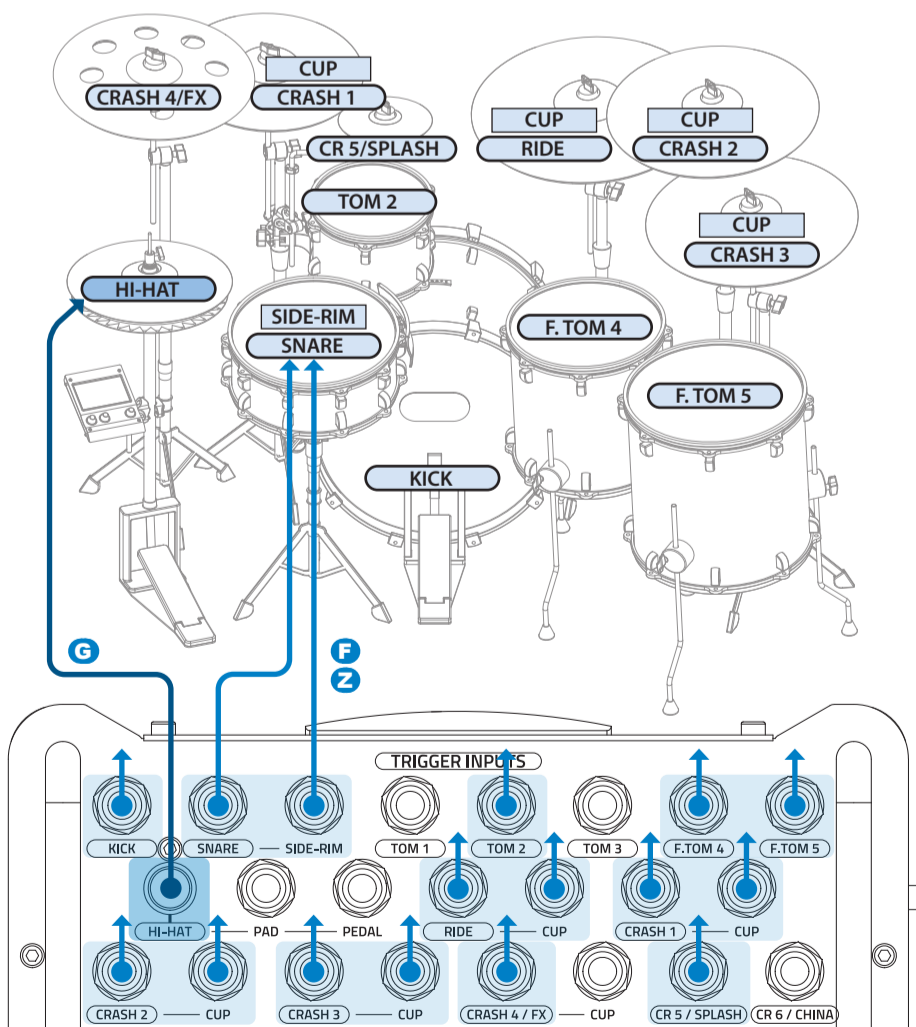


* Be sure to tighten all knobs and bolts firmly.
* Make sure that all stands are stable.

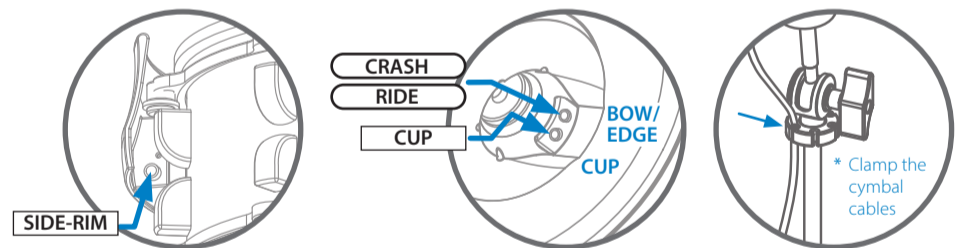
4

Drum/Cymbal Pad Connections

Connection Example



5



NOTE

* To avoid disconnecting the trigger cables unexpectedly, tie or clamp the cables.

After connecting pads

Be sure all pad models being connected are correctly configured on the trigger screen. And then, calibrate your hi-hat controller. Adjust the global pan settings according to the position of the pads you located.

Support

If you have any questions about the product, please visit the product support page on the web. Alternatively, please contact your local authorized distributor listed on the web below.

Product Support

<http://ef-note.com/support>

EFNOTE Authorized Distributor List

<http://ef-note.com/distributors>



Product Support



Distributors

* All illustrations and screens appearing in this document are for the purpose of explaining, and may differ from the actual product or specifications.
* Company names or product names etc. appearing in this document are the registered trademarks or trademarks of their respective corporate owners.
* EFNOTE is a trademark or registered trademark of Ef-Note Inc.

6